



REK-O-KUT RONDINE 3 TURNTABLE

SETUP AND
OPERATION



Please read the following before operating the Rek-O-Kut Rondine 3 turntable.

UNPACKING AND SETUP

The carton contains the dust cover, platter, turntable base, its vibration isolation feet, and all accessories.

The surface onto which the Rondine 3 is to be used should be relatively level and sturdy. It should not rock in response to floor traffic.

1. Remove the Base Unit from the carton. Save all packing material for reshipping should that become necessary.
2. Carefully set the Base Unit on the surface onto which it is to be used. At this point, the feet have no protection underneath them to protect furniture surfaces – so be careful.
3. Place one Vibrapod underneath each foot. This isolates the Rondine 3 from floor vibration and also prevents marring of the surface by the legs.
4. Remove the Power Transformer from the carton. Set the voltage to that of your line outlet. Route the power cable underneath the Rondine 3 from behind and push it into the appropriate power input jack labeled “18VDC.”



CAREFUL, DO NOT PUSH THE CONNECTOR INTO ONE OF THE SPEED CALIBRATION ACCESS HOLES!

5. Remove any shipping shims that may be located underneath the white sub-platter. This will allow the spindle to drop into its bearing well.
6. Locate the belt and loop it around the motor pulley and sub-platter.
7. Locate the platter and carefully put in on the spindle, cosmetic side up. It should slip down snugly, but not tightly. **BE CAREFUL NOT TO MAR THE UPPER SURFACE OF THE PLATTER.**
8. Place the removable portion of the spindle into the platter hole.
9. Locate the counter weight and slide it on the rear end of the arm.
10. Remove any restraints holding the arm in place.
11. Locate the headshell, and install the appropriate cartridge.
12. Locate the arm cable and plug it into the bottom of the arm.
13. Locate the dust cover. Identify the rear.
14. Note: You may have to insert thick cardboard shims into the hinges to open them up to receive the dust cover. Alternately twist a screwdriver blade in the hinge jaws to pry them open. This is best a two person job.

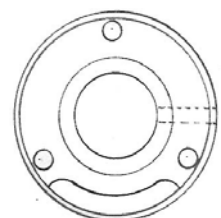


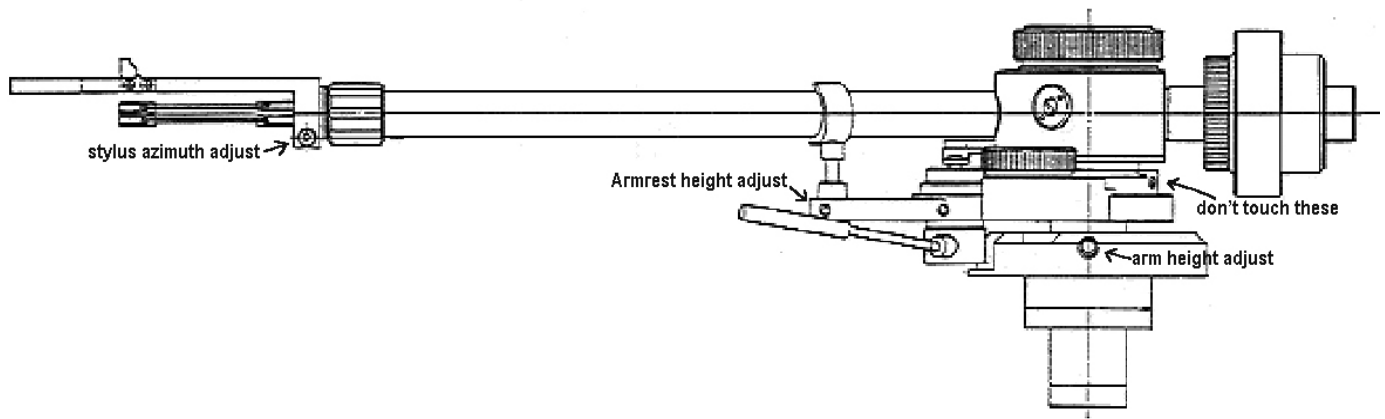
Starting at one end, maneuver one end of the dust cover rear into the jaws of the first hinge, and push it in as far as possible as you can. You may encounter resistance about half way in do to internal plastic nubs. Just push the cover past them. Remove the cardboard shim. Then get the dust cover edge started into the jaws of the middle hinge. Continue until all three hinges grip the dust cover and all shims are removed. Close the dust cover and align it with the base by sliding it from side to side.

CAUTION: Use care when adjusting the dust cover. It is easily broken.

TO NEARM SETUP

1. Mount the cartridge to the headshell as follows: white to left (+), red to right (+), blue to left (-), and green to right (-). Use alignment gauge to adjust cartridge position if extreme accuracy is desired. Try to keep the cartridge parallel to the alignment gauge lines at min. and max. diameters as closely as possible.
2. Attach the headshell to the end of the arm.
3. Adjust the height of the arm such that with the stylus in contact with a record, the arm tube is parallel to the surface of the record. Adjust the hex screw in the right side of the circular base. **Caution:** do not loosen the set screws that hold the anti-skating mechanism to the arm bearing assembly.





4. Check that the arm can swing both to the minimum and maximum record diameters, then tighten the hex set screw in the base to fix the arm position.
5. Adjust the height of the arm lift mechanism with hex set screw in the base collar. Make sure that the arm will lift off the record surface and also that it will drop completely to the surface.
6. If necessary, adjust the perpendicularity of the stylus (azimuth) to record with the hex set screw on the headshell.
7. Rotate the counter weight back and forth to balance the tonearm for equal up and down motion.
8. Set the counter weight's numbered ring to line up the zero with the index line on the back of the tonearm.
9. Rotate the counter weight so that the desired tracking force is by the index line at the numbered ring.
10. Set the anti-skating force to be the same as the tracking force by rotating the knob at the base.

FINAL SETUP

1. Check stylus pressure and anti-skating adjustment. If you need to exceed 3.0 Grams, you can do it in three ways:
 - A. By adding small weights to the cartridge mounting headshell after it is balanced. For instance, to get 5 grams, you can set the arm to 3 grams and then add 2 grams in weights to the headshell.
 - B. By rotating the weight past 3.0 to 1.0, 1.5, etc. Just add the indicated tracking force to 3.0. So, if you go around once to 1.0, then the total tracking force is 4.0 Grams.
 - C. Use a separate tracking force gauge to determine the setting.
2. Check that the turntable is level. If it is deemed too non-level, try leveling the supporting surface first. After that you will have to rely upon appropriate shimming underneath Rondine 3 legs.
3. Plug the power transformer into the line outlet.

OPERATION

1. Place a record on the platter.
2. Set the Cal/Var switch to Cal.
3. Set the Speed Selector Switch to the appropriate reproduce speed.

SOME RECOMMENDED SPEEDS:

Berliner, Early Victor (no label), Zonaphone - 71.29

Acoustic Victor (many) - 76.59

"Modern" "78's" - 78.26

Edison, Pathe vertical (paper label), acoustic Columbia & Okeh, most vertical - 80

Some Pathe - 90

Half Speed Play of 33.33 - 16.66



Half Speed Play of 45 – 22.5
Half Speed Play of 78.26 – 39.13

Note: Factory calibration is more accurate for normal play speed than for half speeds. For critical mastering, check the speed with a strobe disc. Use the Pitch Control as required. For half speeds, check 22.5 and 39.13 with the 45 and 78.26 strobe bands. It's a little difficult to see, but doable.

4. Operate the Start/Stop switch to Start, the platter will begin to rotate and the Power LED will illuminate. (Note: DC motors emit a slight “purr” sound – this is normal.
5. Place the tone arm on the record.
6. To use the pitch control, set the Cal/Var switch to Var and rotate the Pitch Control as required.

VERTICAL RECORDS

For play of vertical records, you should reverse the leads to one channel of your phono cartridge, preferably the channel that has no connection to the cartridge's case. A pre-wired vertical only headshell with cartridge is available from us.

The following list includes some of those that could be cut vertically: Pathe, Edison, Sapphire, Arya, Lyric, Genet, Phono-Cut, Star, Crescent, Empire, Mozart, Okeh, Operaphone, Rex, Rishell, Aeolian Vocalion, World Transcription.

CARE

1. If you use a record cleaning brush, apply only light pressure to the record and platter.
2. Use only a water-dampened cloth to clean any surfaces including the dust cover.
3. Be careful of the platter's surface as it can be marred by improper handling.
4. If the belt gets greasy from improper handling, clean it in warm water with face soap.
5. Lubrication of the bearing should almost never be required. If you do so, wipe the spindle and ball bearing clean. Then add just enough 10 W 30 motor oil to cover the ball (about 4 drops).

CALIBRATION

(THE FOLLOWING IS NOT RECOMMENDED UNLESS YOU FIND A SPEED DRAMATICALLY OFF)

For minor speed variations use the Pitch control. With belt drive turntables, the speed will vary a little up and down with time and temperature. If extreme accuracy of speed is required for certain speeds, you can touch up calibration by means of the adjustments at the rear of the motor control box. The calibration control's hole is actually square, so you may have to experiment with screwdriver sizes. You must use a small 2.4 mm wide screwdriver with an insulated shaft. Wrap it with tape if necessary.



Calibration Suggestions:



39 and 45 - Adjust the “45” control.
68.5, 71.29, 76.59 and 78.26 – Adjust the “78” control.
80, 85 and 90 – Adjust the “90” control.

PROBLEMS

Speed is way off	Maybe the turntable is very un-level. The belt may be on the pulley flange instead of <u>in</u> the pulley. The Pitch control may be misadjusted.
Repeating grooves	Too much anti-skating force. Dirty and clogged stylus. Too light a tracking force.

No power	The power supply plug could be pulled out from the motor control box. Power switch not set correctly.
Can hear the motor Platter is scratched	This is normal with DC motors. Should be a very soft purr, almost inaudible at 33. Either leave it alone, or try using #0000 steel wool to rub the scratch out. This will probably require you to go over most of the surface to blend it. Try working on the bottom of the platter for practice.
Strobe lines wander	A little bit is OK. Don't worry; this is normal. If you hear the speed noticeably off or wow & flutter, then you have a problem.
Record slides on platter Speed is too slow or fast	Usually a problem with records that are not flat. You may need a record clamp to hold it in place. If you have had the unit for some time, or it has been subject to much use, re-calibration of speeds may be required.

SPECIFICATIONS OF REK-O-KUT RONDINE 3

Platter	12 inch diameter 3.75 lbs Delrin
Drive System	Belt-Drive, 12 VDC Motor
Speeds	16.66, 22.5, 33.33, 39.13, 45, 68.5, 71.29, 76.59, 78.26, 80, 85, 90 rpm
Pitch Control	+/- 15%
Wow & Flutter	0.09% max
Speed Accuracy	+/- 0.5%
Signal-To-Noise	-80 dBA
Power Requirements	110/240 VAC, 50/60 Hz
Arm Type	13 inch, static balance, S-shaped, tubular of aluminum and magnesium
Maximum Record Diameter	17 inches
Maximum Tracking Force Cal	3 Grams
Maximum Anti-Skating Cal	3 Grams
Dimensions	18.5" X 15" X 6.5"
Shipping Weight	30 Lbs

VINTAGE RECORDINGS

Esoteric Sound regularly engages in selling vintage records by mail auction at reasonable prices. This includes "78" rpm records, LP's, broadcast transcriptions, broadcast and commercial tape recordings, and occasionally audio equipment. Please go to our website, www.esotericsound.com, for the latest list.

WARRANTY

This product has been manufactured to precise standards and rigid quality control. Return authorization must be obtained before making any return. Unit should be returned in it's original packing otherwise cost of repair for damage incurred will be charged. We can advise you as to alternate proper packing should this not be available. In the USA, such returns should be accompanied by a payment of \$25.00 for re-shipping. Foreign locations must prepay return freight. Foreign customers will be given the option of having parts sent for their installation. It is fully warranted against defective materials or workmanship under normal use for the warranty period of one year from time of purchase to the original owner. Repairs, adjustment for defects or replacement of parts will be performed free of charge during the one year period, except in case:

- a) equipment has been damaged by accident or mishandling,
- b) equipment has been serviced or modified by other than our authorized agents, or
- c) of theft, loss, fire or other calamities by the Acts of God.

ESOTERIC SOUND
1608 HEMSTOCK AVE.
WHEATON, IL 60189
PHONE/FAX: (630) 933-9801
email: EsotericTT@aol.com